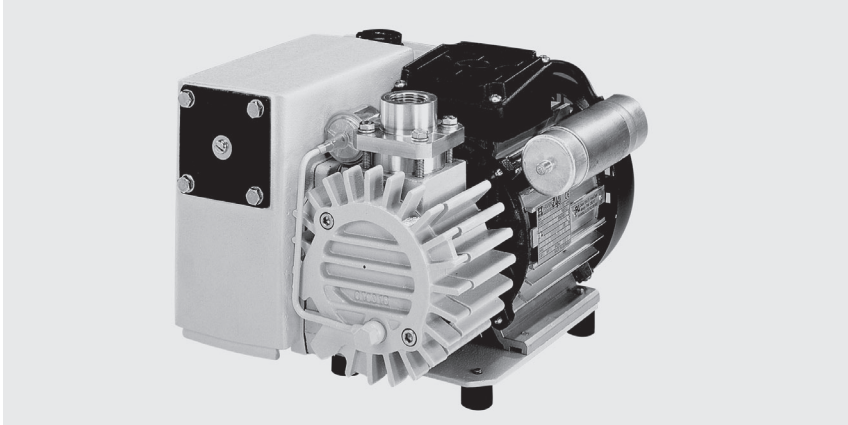
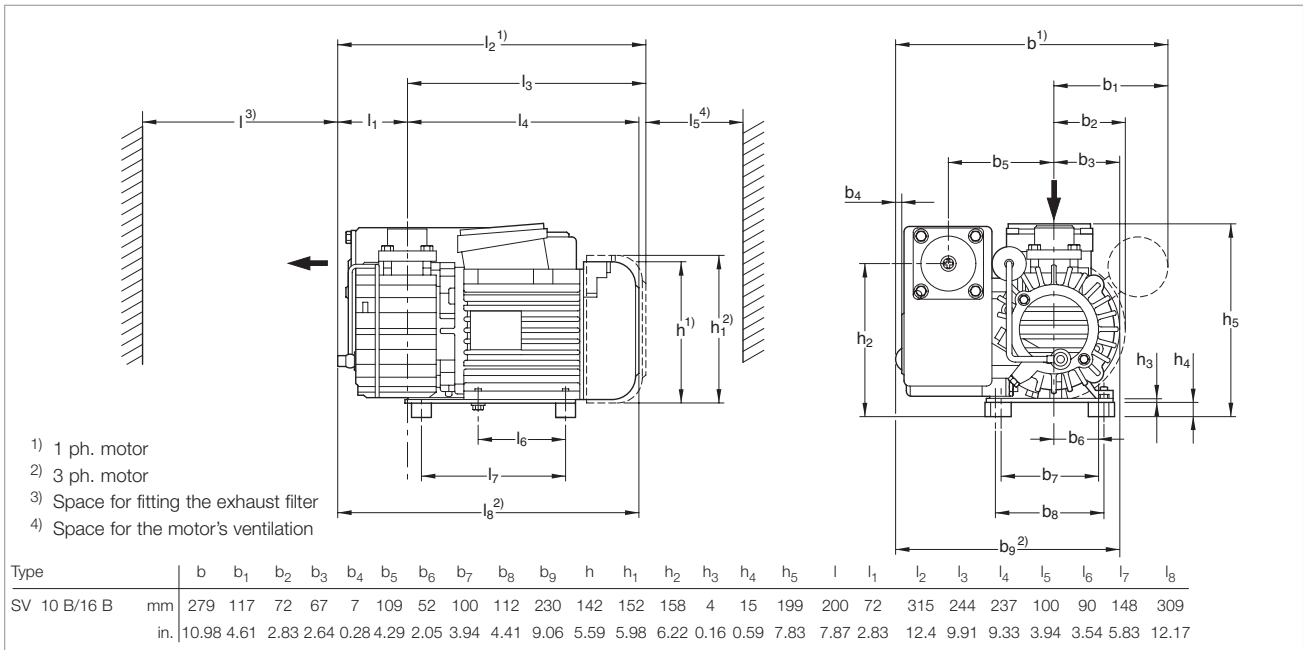


Products

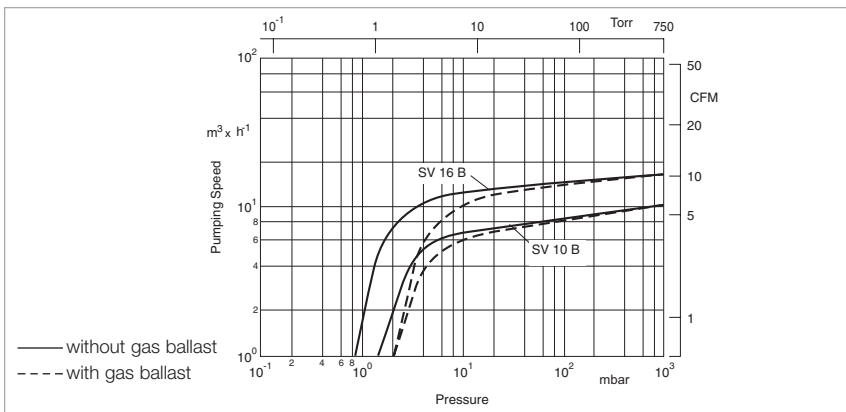
SOGEVAC SV 10 B / SV 16 B



SOGEVAC SV 16 B



Dimensional drawing for the SOGEVAC SV 10 B and SV 16 B



Pumping speed characteristics of the SOGEVAC SV 10 B and SV 16 B at 50 Hz (60 Hz curves at the end of the section)

Technical Data

		SOGEVAC SV 10 B		SOGEVAC SV 16 B	
		50 Hz	60 Hz	50 Hz	60 Hz
Nominal speed ¹⁾	m ³ x h ⁻¹ (cfm)	11.0 (6.5)	13.0 (7.7)	16.0 (9.4)	19.0 (11.2)
Pumping speed ¹⁾	m ³ x h ⁻¹ (cfm)	9.5 (5.6)	11.5 (6.8)	15.0 (8.8)	17.0 (10.0)
Ultimate partial pressure without gas ballast ¹⁾	mbar (Torr)	≤ 1.5 (≤ 1.1)	≤ 1.5 (≤ 1.1)	≤ 1 (≤ 0.75)	≤ 1 (≤ 0.75)
Ultimate total pressure with gas ballast ¹⁾	mbar (Torr)	≤ 2 (≤ 1.5)	≤ 2.5 (≤ 1.9)	≤ 2 (≤ 1.5)	≤ 2 (≤ 1.5)
Water vapor tolerance ¹⁾	mbar (Torr)	10.0 (7.5)	15.0 (11.3)	10.0 (7.5)	15.0 (11.3)
Water vapor capacity	g x h ⁻¹ (qt/hr)	20 (21)	30 (32)	30 (32)	50
Oil capacity	l (qt)	0.5 (0.53)	0.5 (0.53)	0.5 (0.53)	0.5 (0.53)
Noise level ²⁾	dB(A)	62 (1φ) - 60 (3φ)	67 (1φ) - 64 (3φ)	62 (1φ) - 60 (3φ)	67 (1φ) - 64 (3φ)
Admissible ambient temperature	°C (°F)	12 to 40 (54 to 104)	12 to 40 (54 to 104)	12 to 40 (54 to 104)	12 to 40 (54 to 104)
Motor power	kW (hp)	0.55 (1.0)	0.75 (1.5)	0.55 (1.0)	0.75 (1.5)
Nominal speed	min ⁻¹ (rpm)	3000 (3000)	3600 (3600)	3000 (3000)	3600 (3600)
Type of protection	IP	55-F	55-F	55-F	55-F
Weight (with oil filling)	kg (lbs)	20.0 (41.55)	20.0 (41.55)	20.5 (45.25)	20.5 (45.25)
Dimensions (W x H x D)	mm (in.)	315 x 281 x 199 (12.4 x 11.06 x 7.83)	315 x 281 x 199 (12.4 x 11.06 x 7.83)	315 x 281 x 199 (12.4 x 11.06 x 7.83)	315 x 281 x 199 (12.4 x 11.06 x 7.83)
Connections intake (Inside thread)	G	3/4" + 1/2"	3/4" + 1/2"	3/4" + 1/2"	3/4" + 1/2"

Ordering Information

	SOGEVAC SV 10 B	SOGEVAC SV 16 B
	50/60 Hz	50/60 Hz
SOGEVAC SV 10 B/SV 16 B with three-phase motor, with gas ballast 220-240/380-415 V, 50 Hz and 220-266/380-460 V, 60 Hz (CEI) 200 V, 50/60 Hz with single-phase motor ³⁾ , with gas ballast 230 V, 50/60 Hz (CEI) 115 V, 60 Hz 100 V, 50/60 Hz Other voltages/frequencies ⁴⁾ Filling with special oil	Part No. 960 100 Part No. 960 115 Part No. 960 105 Part No. 960 110 Part No. 960 114 upon request upon request	Part No. 960 160 Part No. 960 175 Part No. 960 165 Part No. 960 170 Part No. 960 174 upon request upon request
Exhaust filter cartridge	Part No. 714 13 280	Part No. 714 13 280
Exhaust connection G 3/4 "	Part No. 971 433 140	Part No. 971 433 140
Repair kit	Part No. 714 22 230	Part No. 714 22 230

¹⁾ To DIN 28 400 and following numbers

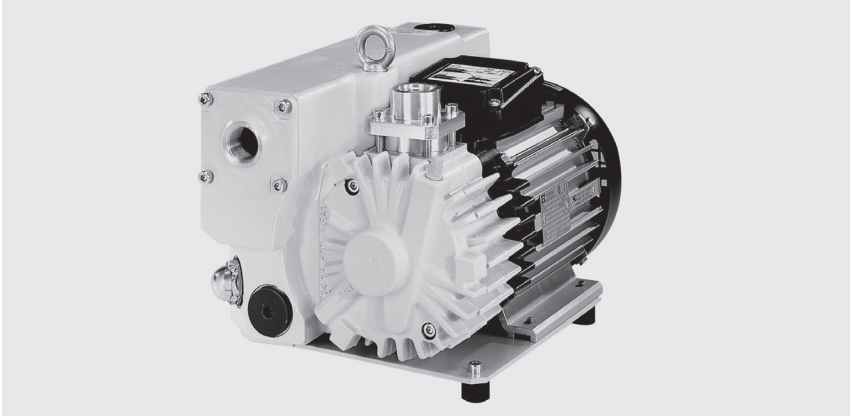
²⁾ Operated at the ultimate pressure without gas ballast, free-field measurement at a distance of 1 m

³⁾ Single-phase motors do not have plugs, cords or ON/OFF switches

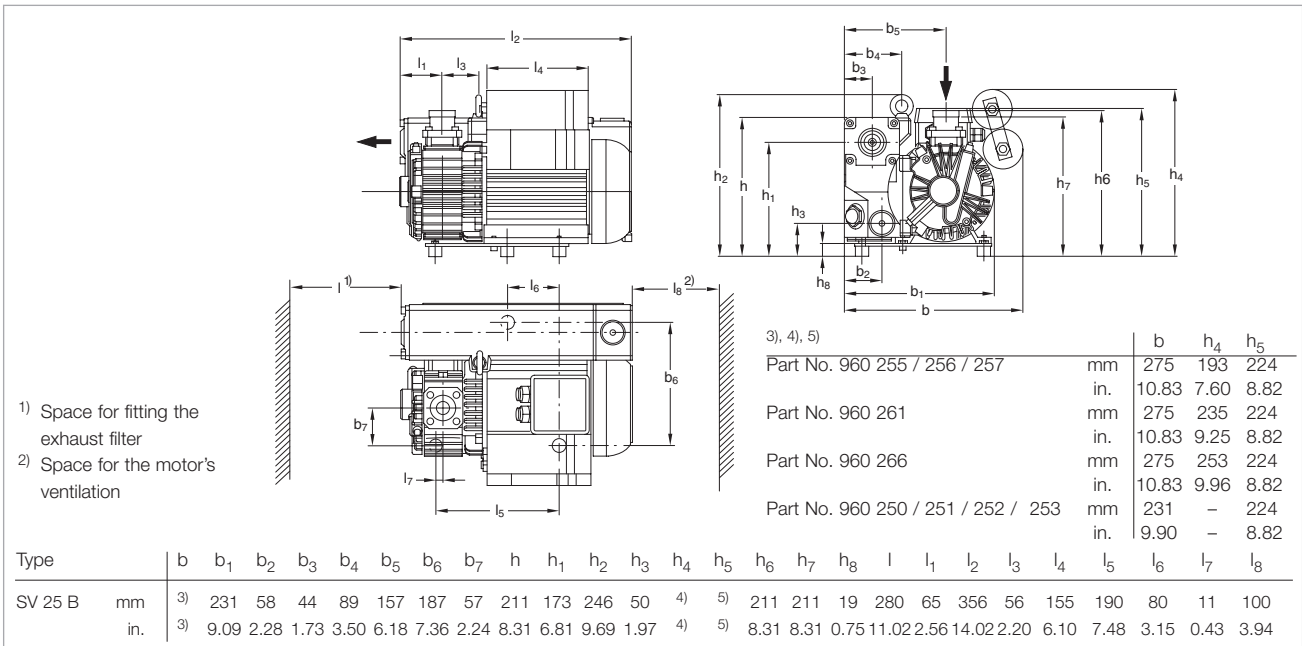
⁴⁾ Please indicate when ordering a pump

Remark: The SV 10 B and SV 16 B cannot work continuously above 150 mbar. Please consult Oerlikon Leybold Vacuum for this application

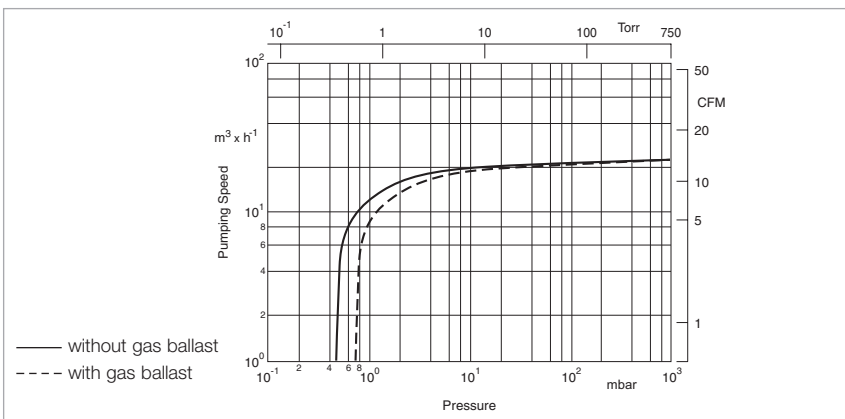
SOGEVAC SV 25 B



SOGEVAC SV 25 B



Dimensional drawing for the SOGEVAC SV 25 B



Pumping speed characteristics of the SOGEVAC SV 25 B at 50 Hz
(60 Hz curves at the end of the section)

Technical Data

SOGEVAC SV 25 B

		50 Hz	60 Hz
Nominal speed ¹⁾	m ³ x h ⁻¹ (cfm)	26.0 (15.3)	31.0 (18.3)
Pumping speed ¹⁾	m ³ x h ⁻¹ (cfm)	22.5 (13.3)	25.0 (14.7)
Ultimate partial pressure without gas ballast ¹⁾	mbar (Torr)	≤ 0.5 (≤ 0.4)	≤ 0.5 (≤ 0.4)
Ultimate total pressure with gas ballast ¹⁾	mbar (Torr)	≤ 0.8 (≤ 0.6)	≤ 0.8 (≤ 0.6)
Water vapor tolerance ¹⁾	mbar (Torr)	10.0 (7.5)	10.0 (7.5)
Water vapor tolerance	g x h ⁻¹ (qt/hr)	85 (90)	100 (106)
Oil capacity	l (qt)	0.5 (0.53)	0.5 (0.53)
Noise level ²⁾	dB(A)	64	67
Admissible ambient temperature	°C (°F)	12 to 40 (54 to 104)	12 to 40 (54 to 104)
Motor power	kW (hp)	0.9 (1.2)	1.1 (1.5)
Nominal speed	min ⁻¹ (rpm)	3000 (3000)	3600 (3600)
Type of protection	IP	55-F	55-F
Weight (with oil filling)	kg (lbs)	26 (57.4) [three-phase] 27 (60.0) [single-phase]	26 (57.4) [three-phase] 27 (60.0) [three-phase]
Dimensions (W x H x D)	mm (in.)	356 x 275 x 246 (14.02 x 10.83 x 9.69)	356 x 275 x 246 (14.02 x 10.83 x 9.69)
Connections ³⁾			
Intake	G or NPT	3/4" + 1/2"	3/4" + 1/2"
Exhaust	G or NPT	3/4"	3/4"

Ordering Information

SOGEVAC SV 25 B 50/60 Hz

SOGEVAC SV 25 B with three-phase motor, without gas ballast 200-230/400 V, 50 Hz (CEI) and 200-230/400-460 V, 60 Hz (CEI)	Part No. 960 250
200-230/400 V, 50 Hz and 200-230/400-460 V, 60 Hz, NPT flanges (CEI)	Part No. 960 252
with three-phase motor, with gas ballast 200-230/400 V, 50 Hz (CEI) and 200-230/400-460 V, 60 Hz (CEI)	Part No. 960 251
200-230/400 V, 50 Hz and 200-230/400-460 V, 60 Hz and NPT flanges (CEI)	Part No. 960 253
with single-phase motor, without gas ballast 230 V, 50/60 Hz (CEI)	Part No. 960 255
with single-phase motor, with gas ballast 230 V, 50/60 Hz (CEI)	Part No. 960 256
230 V, 50/60 Hz, NPT flanges (CEI)	Part No. 960 257
115 V, 60 Hz	Part No. 960 261
100 V, 50/60 Hz	Part No. 960 266
Other voltages/frequencies ⁴⁾	upon request
Filling with special oil ⁴⁾	upon request
Exhaust filter cartridge	Part No. 714 16 340
Maintenance kit	Part No. 9 714 23 450
Repair kit	Part No. 9 714 23 100

¹⁾ To DIN 28 400 and following numbers

²⁾ Operated at the ultimate pressure without gas ballast, free-field measurement at a distance of 1 m

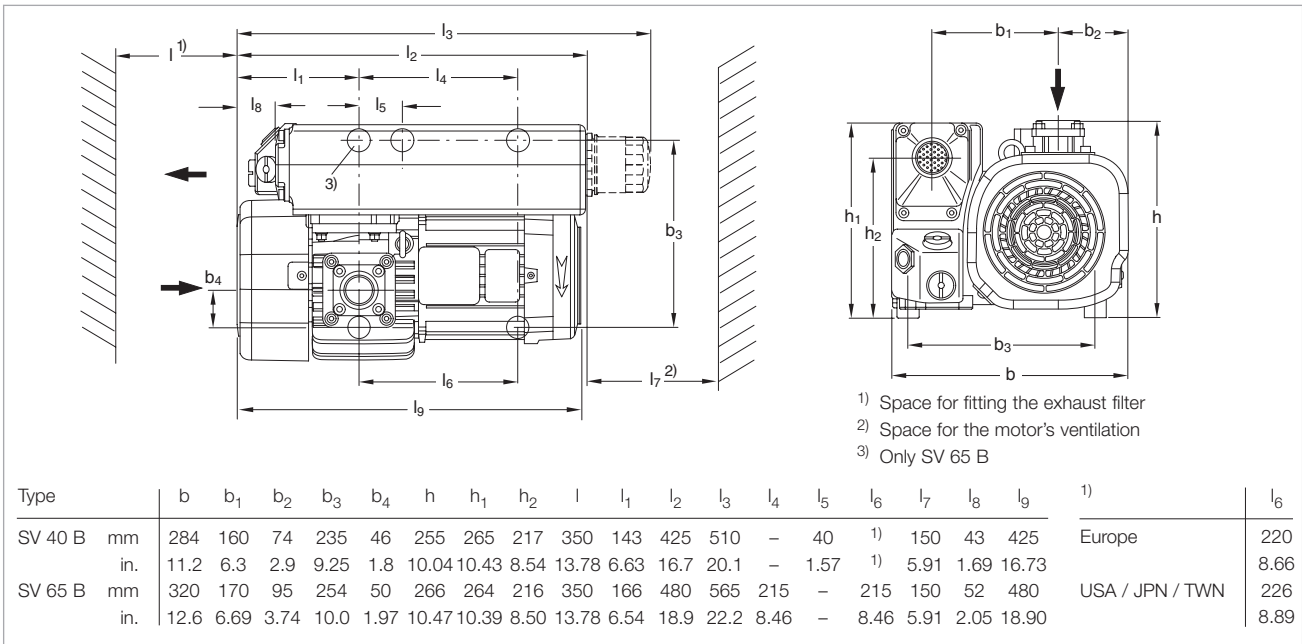
³⁾ Pumps with European and Japanese motors have G, pumps with NEMA motors have NPT

⁴⁾ Please indicate when ordering a pump

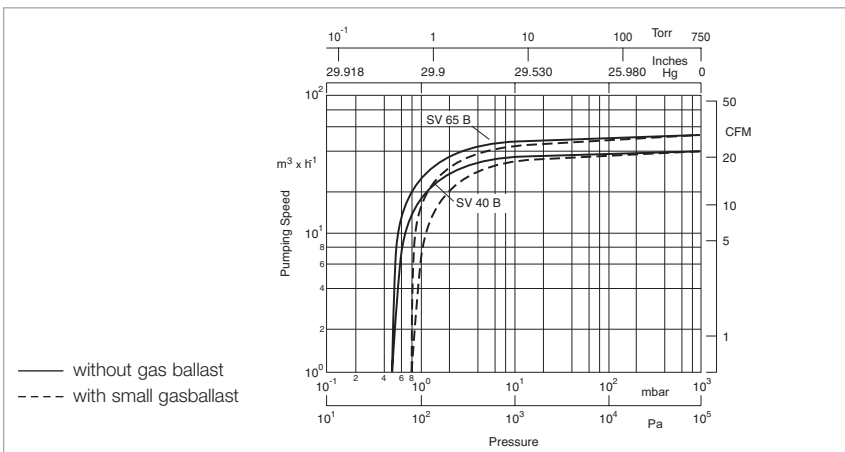
SOGEVAC SV 40 B / SV 65 B



SOGEVAC SV 65 B



Dimensional drawing for the SOGEVAC SV 40 B and SV 65 B with standard motor, European version



Pumping speed characteristics of the SOGEVAC SV 40 B and SV 65 B at 50 Hz (60 Hz curves at the end of the section)

Technical Data

		SOGEVAC SV 40 B		SOGEVAC SV 65 B	
		50 Hz	60 Hz	50 Hz	60 Hz
Nominal speed ¹⁾	m ³ x h ⁻¹ (cfm)	44.0 (25.9)	53.0 (31.2)	59.0 (34.8)	71.0 (41.8)
Pumping speed ¹⁾	m ³ x h ⁻¹ (cfm)	38.5 (22.7)	47.0 (27.7)	54.0 (31.8)	64.0 (37.7)
Ultimate partial pressure without gas ballast ¹⁾	mbar (Torr)	≤ 0.5 (≤ 0.4)	≤ 0.5 (≤ 0.4)	≤ 0.5 (≤ 0.4)	≤ 0.5 (≤ 0.4)
Ultimate total pressure ¹⁾					
with standard gas ballast ²⁾	mbar (Torr)	≤ 1.5 (≤ 1.1)	≤ 1.5 (≤ 1.1)	≤ 1.5 (≤ 1.1)	≤ 1.5 (≤ 1.1)
with small gas ballast ²⁾	mbar (Torr)	≤ 0.8 (≤ 0.6)	≤ 0.8 (≤ 0.6)	≤ 0.8 (≤ 0.6)	≤ 0.8 (≤ 0.6)
Water vapor tolerance ¹⁾					
with standard gas ballast ²⁾	mbar (Torr)	30.0 (22.5)	30.0 (22.5)	30.0 (22.5)	30.0 (22.5)
with small gas ballast ²⁾	mbar (Torr)	10.0 (7.5)	10.0 (7.5)	10.0 (7.5)	10.0 (7.5)
Water vapor capacity					
with standard gas ballast ²⁾					
kg x h ⁻¹ (qt/hr)		0.76 (0.80)	0.90 (0.95)	1.0 (1.1)	1.25 (1.32)
with small gas ballast ²⁾					
kg x h ⁻¹ (qt/hr)		0.28 (0.30)	0.34 (0.36)	0.36 (0.38)	0.42 (0.44)
Oil capacity	l (qt)	1.0 (1.05)	1.0 (1.05)	2.0 (2.1)	2.0 (2.1)
Mean noise level ³⁾	dB(A)	58	60	60	64
Admissible ambient temperature	°C (°F)	12 to 40 (54 to 104)	12 to 40 (54 to 104)	12 to 40 (54 to 104)	12 to 40 (54 to 104)
Motor power	kW (hp)	1.1 (1.5)	1.5 (2.0)	1.5 (2.0)	1.8 (2.5)
Nominal speed	min ⁻¹ (rpm)	1500 (1500)	1800 (1800)	1500 (1500)	1800 (1800)
Type of protection	IP	55-F	55-F	55-F	55-F
Weight (with oil filling)	kg (lbs)	43 (94.9)	45 (99.3)	49 (108.2)	52 (114.8)
Dimensions (W x H x D)	mm (in.)	425 x 284 x 265 (16.7 x 11.2 x 10.4)	425 x 284 x 265 (16.7 x 11.2 x 10.4)	480 x 320 x 264 (18.9 x 12.6 x 10.4)	425 x 284 x 265 (18.9 x 12.6 x 10.4)
Connection (inside thread) ⁴⁾					
Intake	G or NPT	1 1/4"	1 1/4"	1 1/4"	1 1/4"
Exhaust	G or NPT	1 1/4"	1 1/4"	1 1/4"	1 1/4"

¹⁾ To DIN 28 400 and following numbers

²⁾ Ordering Information, see next page

³⁾ Operated at the ultimate pressure without gas ballast, free-field measurement at a distance of 1 m

⁴⁾ Pumps with European and Japanese motors have G, pumps with US motors have NPT

Ordering Information

SOGEVAC SV 40 B 50/60 Hz

SOGEVAC SV 65 B 50/60 Hz

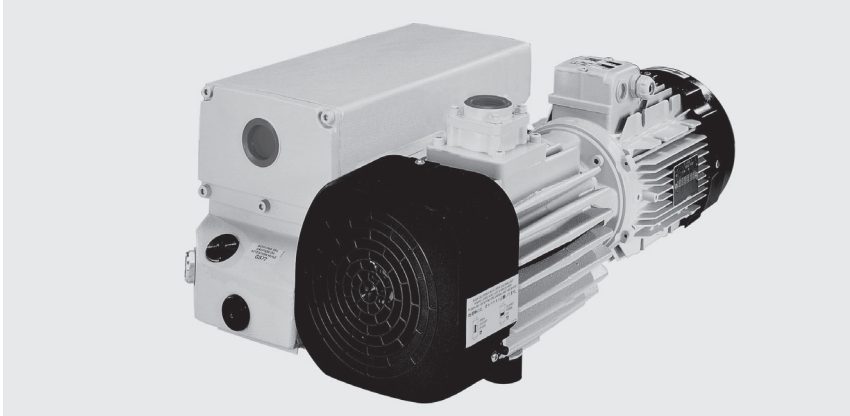
SOGEVAC SV 40 B, SV 65 B ¹⁾ with three-phase motor, without gas ballast, without oil filter 230/400 V, 50 Hz and 460 V, 60 Hz (CEI) 230 V +/- 10%, 50 Hz (CEI) with three-phase motor, without gas ballast, with oil filter 230/400 V, 50 Hz and 460 V, 60 Hz (CEI) with three-phase motor, with small gas ballast, without oil filter 230/400 V, 50 Hz and 460 V, 60 Hz (CEI) 230/460 V, 60 Hz and 400 V, 50 Hz, NPT flanges (CEI) 230 V +/- 10%, 50 Hz (CEI) 200 V, 50/60 Hz with three-phase motor, with small gas ballast, with oil filter 230/400 V, 50 Hz and 460 V, 60 Hz (CEI) 230/460 V, 60 Hz and 400 V, 50 Hz, NPT flanges (CEI) 240 V +/- 5%, 60 Hz (CEI) 200 V, 50/60 Hz with three-phase motor, with standard gas ballast, without oil filter 230/400 V, 50 Hz and 460 V, 60 Hz (CEI) 230/460 V, 60 Hz and 400 V, 50 Hz, NPT flanges (CEI) 340 - 440 V, 50 Hz (CEI) 200 V, 50/60 Hz with three-phase motor, with standard gas ballast, with oil filter 230/400 V, 50 Hz and 460 V, 60 Hz (CEI) 230/460 V, 60 Hz and 400 V, 50 Hz, NPT flanges (CEI) 380 - 480 V, 60 Hz (CEI) 200 V, 50/60 Hz Other voltages/frequencies ²⁾ Filling with special oil ²⁾	Part No. 960 300 Part No. 960 320 Part No. 960 302 Part No. 960 301 Part No. 960 311 Part No. 960 321 Part No. 960 316 Part No. 960 303 Part No. 960 313 Part No. 960 323 Part No. 960 318 Part No. 960 305 Part No. 960 312 Part No. 960 322 Part No. 960 317 Part No. 960 307 Part No. 960 314 Part No. 960 324 Part No. 960 319 upon request upon request	Part No. 960 400 - Part No. 960 402 Part No. 960 401 Part No. 960 411 Part No. 960 421 Part No. 960 416 Part No. 960 403 Part No. 960 413 Part No. 960 423 Part No. 960 418 Part No. 960 405 Part No. 960 412 Part No. 960 422 Part No. 960 417 Part No. 960 407 Part No. 960 414 Part No. 960 424 Part No. 960 419 upon request upon request
Exhaust filter cartridge	Part No. 714 21 180	Part No. 714 17 300
Maintenance kit	Part No. 9 714 27 660	Part No. 9 714 23 440
Repair kit	Part No. 9 714 27 650	Part No. 714 20 420
Oil filter ³⁾	Part No. 714 20 980	Part No. 714 20 980

¹⁾ Pumps with European and Japanese motors have G,
pumps with US voltages motors have NPT

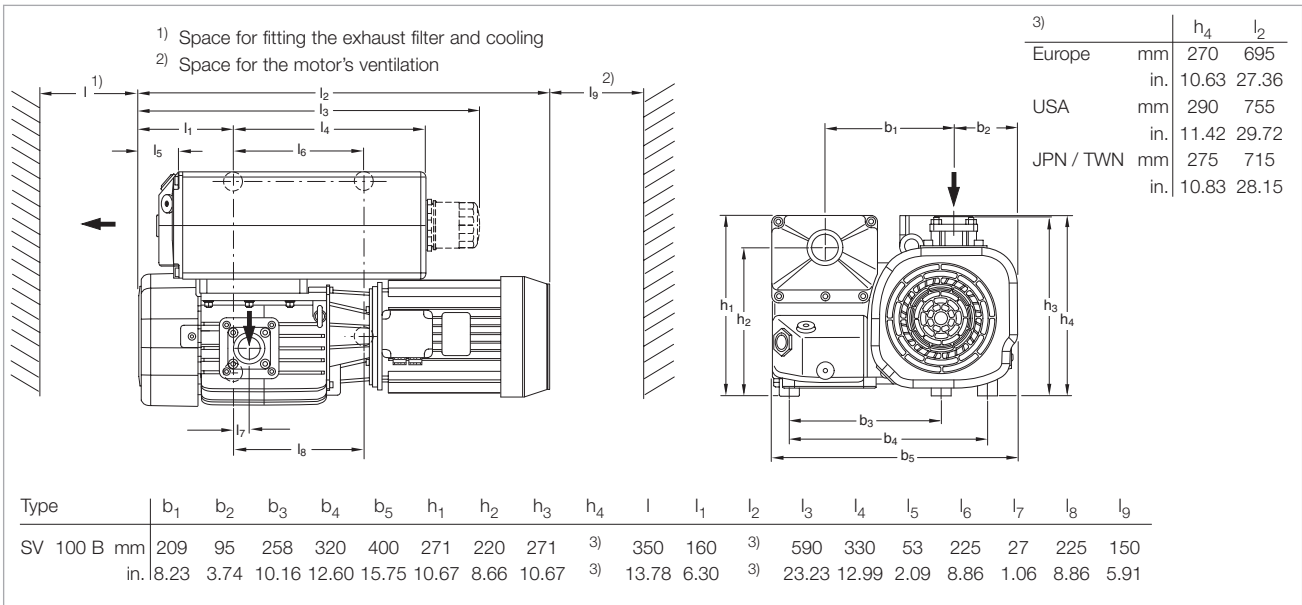
²⁾ Please indicate when ordering a pump

³⁾ Not included in maintenance kit

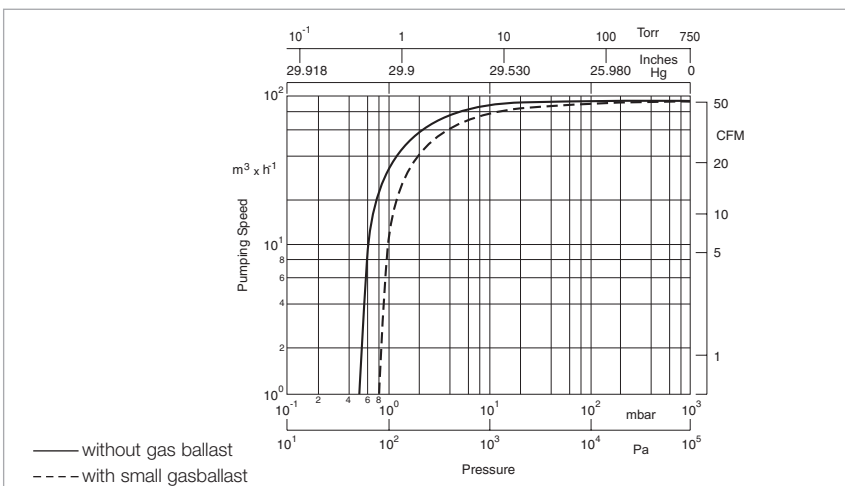
SOGEVAC SV 100 B



SOGEVAC SV 100 B



Dimensional drawing for the SOGEVAC SV 100 B



Pumping speed characteristics of the SOGEVAC SV 100 B at 50 Hz
(60 Hz curves at the end of the section)

Technical Data

SOGEVAC SV 100 B

		50 Hz	60 Hz
Nominal speed ¹⁾	m ³ x h ⁻¹ (cfm)	97.5 (57.4)	117.0 (68.9)
Pumping speed ¹⁾	m ³ x h ⁻¹ (cfm)	87.5 (51.5)	105.0 (61.8)
Ultimate partial pressure without gas ballast ¹⁾	mbar (Torr)	≤ 0.5 (≤ 0.4)	≤ 0.5 (≤ 0.4)
Ultimate total pressure ¹⁾			
with standard gas ballast ²⁾	mbar (Torr)	≤ 1.5 (≤ 1.0)	≤ 1.5 (≤ 1.0)
with small gas ballast ²⁾	mbar (Torr)	≤ 0.8 (≤ 0.6)	≤ 0.8 (≤ 0.6)
Water vapor tolerance ¹⁾			
with standard gas ballast ²⁾	mbar (Torr)	10.0 (7.0)	30.0 (22.5)
with small gas ballast ²⁾	mbar (Torr)	15.0 (11.3)	15.0 (11.3)
Water vapor capacity			
with standard gas ballast ²⁾			
with standard gas ballast ²⁾	kg x h ⁻¹ (qt/hr)	1.60 (1.69)	1.70 (1.80)
with small gas ballast ²⁾	kg x h ⁻¹ (qt/hr)	0.45 (0.48)	0.60 (0.63)
Oil capacity	l (qt)	2.0 (2.1)	2.0 (2.1)
Mean noise level ³⁾	dB(A)	61	64
Admissible ambient temperature	°C (°F)	12 to 40 (54 to 104)	12 to 40 (54 to 104)
Motor power	kW (hp)	2.2 (3.0)	3.5 (4.8)
Nominal speed	min ⁻¹ (rpm)	1500 (1500)	1800 (1800)
Type of protection	IP	55-F	55-F
Weight (with oil filling)	kg (lbs)	75 (165.6)	88 (194.3)
Dimensions (W x H x D)			
Europe	mm (in.)	695 x 400 x 270 (27.4 x 15.7 x 10.6)	695 x 400 x 270 (27.4 x 15.7 x 10.6)
USA	mm (in.)	755 x 400 x 290 (29.7 x 15.7 x 11.4)	755 x 400 x 290 (29.7 x 15.7 x 11.4)
JPN / TWN	mm (in.)	715 x 400 x 275 (28.1 x 15.7 x 10.8)	715 x 400 x 275 (28.1 x 15.7 x 10.8)
Connection (inside thread) ⁴⁾			
Intake	G or NPT	1 1/4"	1 1/4"
Exhaust	G or NPT	1 1/4"	1 1/4"

¹⁾ To DIN 28 400 and following numbers

²⁾ Ordering Information, see next page

³⁾ Operated at the ultimate pressure without gas ballast, free-field measurement at a distance of 1 m

⁴⁾ Pumps with European and Japanese motors have G, pumps with US (NEMA) motors have NPT

Ordering Information

SOGEVAC SV 100 B 50/60 Hz

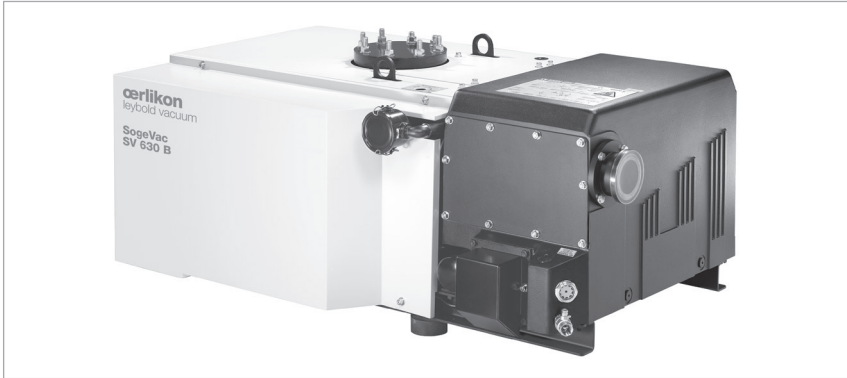
SOGEVAC SV 100 B ¹⁾ with three-phase motor, without gas ballast, without oil filter 230/400 V, 50 Hz and 460 V, 60 Hz (CEI)	Part No. 960 500
with three-phase motor, without gas ballast, with oil filter 230/400 V, 50 Hz and 460 V, 60 Hz (CEI)	Part No. 960 502
with three-phase motor, with small gas ballast, without oil filter 230/400 V, 50 Hz and 460 V, 60 Hz (CEI)	Part No. 960 501
230/460 V, 60 Hz and 400 V, 50 Hz (NEMA)	Part No. 960 511
230/400 V, 50/60 Hz (CEI)	Part No. 960 521
200 V, 50/60 Hz (JIS)	Part No. 960 516
with three-phase motor, with small gas ballast, with oil filter 230/400 V, 50 Hz and 460 V, 60 Hz (CEI)	Part No. 960 503
230/460 V, 60 Hz and 400 V, 50 Hz (NEMA)	Part No. 960 513
230/400 V, 50/60 Hz (CEI)	Part No. 960 523
200 V, 50/60 Hz (JIS)	Part No. 960 518
with three-phase motor, with standard gas ballast, without oil filter 230/400 V, 50 Hz and 460 V, 60 Hz (CEI)	Part No. 960 505
230/460 V, 60 Hz and 400 V, 50 Hz (NEMA)	Part No. 960 512
230/400 V, 50/60 Hz (CEI)	Part No. 960 522
200 V, 50/60 Hz (JIS)	Part No. 960 517
with three-phase motor, with standard gas ballast, with oil filter 230/400 V, 50 Hz and 460 V, 60 Hz (CEI)	Part No. 960 507
230/460 V, 60 Hz and 400 V, 50 Hz (NEMA)	Part No. 960 514
230/400 V, 50/60 Hz (CEI)	Part No. 960 524
200 V, 50/60 Hz (JIS)	Part No. 960 519
Other voltages/frequencies ²⁾ Filling with special oil ²⁾	upon request upon request
Exhaust filter cartridge	Part No. 714 17 300
Maintenance kit	Part No. 9 714 27 690
Repair kit	Part No. 9 714 27 680
Oil filter ³⁾	Part No. 712 13 150

¹⁾ Pumps with European and Japanese motors have G,
pumps with US (NEMA) motors have NPT

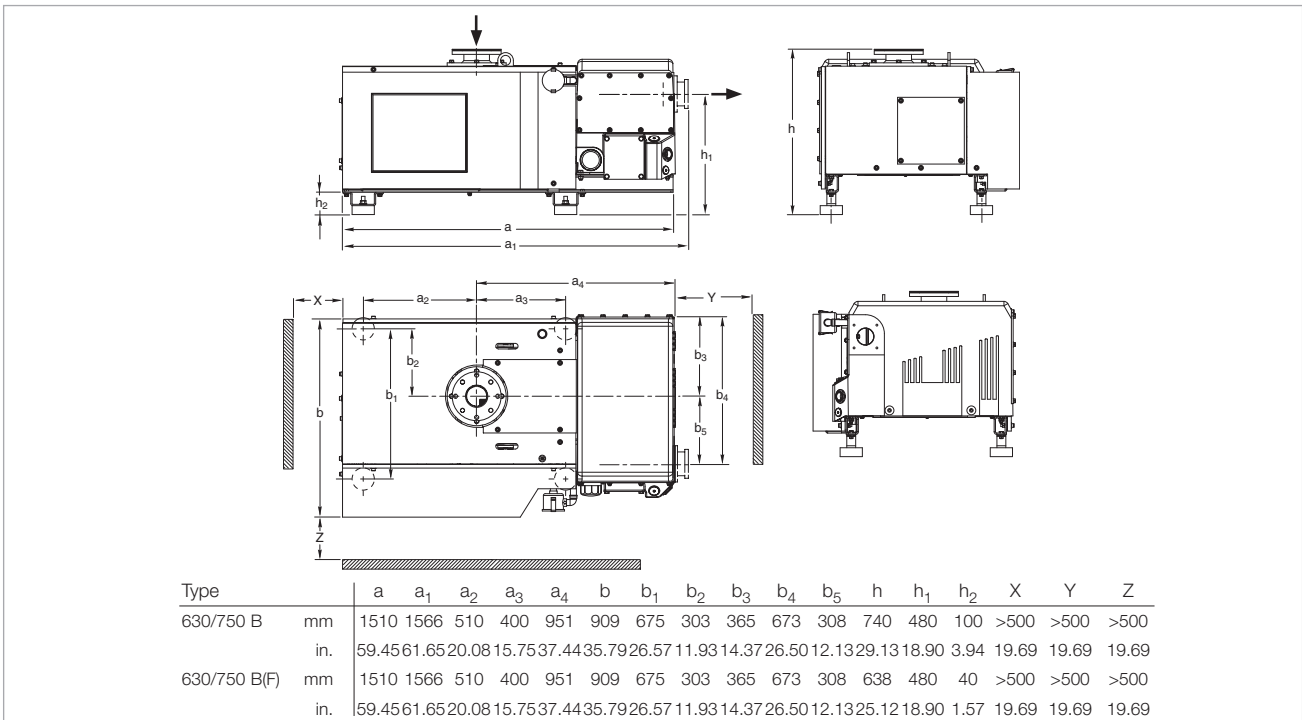
²⁾ Please indicate when ordering a pump

³⁾ Not included in maintenance kit

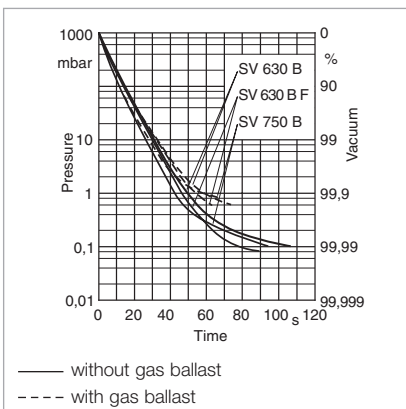
SOGEVAC SV 630 B / 630 BF / 750 B(F)



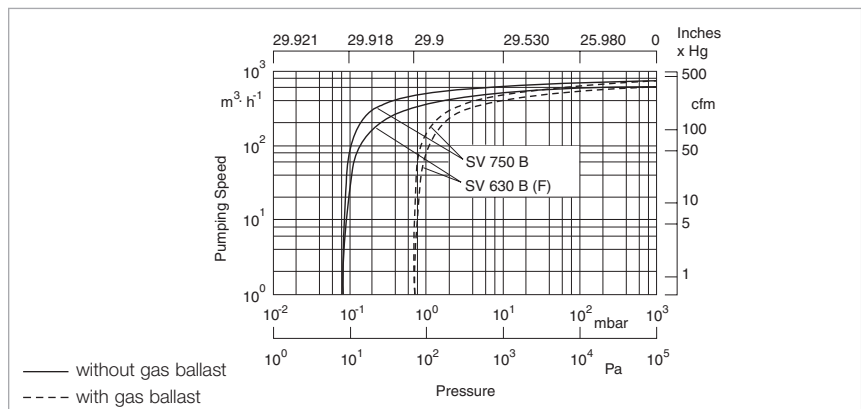
SOGEVAC SV 630 B



Dimensional drawing for the SOGEVAC SV 630 B(F) und 750 B



Pumpdown curve for a 1000 l vessel for 50 Hz pump operation



Pumping speed characteristics of the SOGEVAC SV 630 B(F)
(60 Hz curves at the end of the section)

Technical Data

SOGEVAC SV 630 B

SOGEVAC SV 630 BF

SOGEVAC SV 750 B

			50 Hz	60 Hz	50 Hz	60 Hz	50 Hz
Nominal speed ¹⁾	m ³ x h ⁻¹ (cfm)		700 (412.0)	840 (494.4)	700 (412.0)	840 (494.4)	840 (494.4)
Pumping speed ¹⁾	m ³ x h ⁻¹ (cfm)		640 (376.7)	755 (444.4)	640 (376.7)	755 (444.4)	755 (444.4)
Ultimate partial pressure without gas ballast ¹⁾	mbar (Torr)		< 8 x 10 ⁻² (< 6 x 10 ⁻²)	< 8 x 10 ⁻² (< 6 x 10 ⁻²)	< 8 x 10 ⁻² (< 6 x 10 ⁻²)	< 8 x 10 ⁻² (< 6 x 10 ⁻²)	< 8 x 10 ⁻² (< 6 x 10 ⁻²)
Ultimate total pressure with one gas ballast valve ¹⁾	mbar (Torr)		≤ 0.7 (≤ 0.5)	≤ 0.7 (≤ 0.5)	≤ 0.7 (≤ 0.5)	≤ 0.7 (≤ 0.5)	≤ 0.7 (≤ 0.5)
Ultimate total pressure with two gas ballast valves ¹⁾	mbar (Torr)		≤ 2 (≤ 1.5)	≤ 2 (≤ 1.5)	≤ 2 (≤ 1.5)	≤ 2 (≤ 1.5)	≤ 2 (≤ 1.5)
Water vapor tolerance without gas ballast	mbar (Torr)		–	–	–	–	–
with 1 gas ballast ^{1), 2)}	mbar (Torr)		40.0 (30.0)	50.0 (37.5)	25.0 (18.8)	30.0 (22.5)	50.0 (37.5)
with 2 gas ballast valves ^{1), 2)}	mbar (Torr)		60.0 (45.0)	70.0 (52.5)	35.0 (26.3)	40.0 (30.0)	70.0 (52.5)
Max. perm. water vapour quantity without gas ballast	kg x h ⁻¹ (qt/hr)		–	–	–	–	–
with 1 gas ballast ^{1), 2)}	kg x h ⁻¹ (qt/hr)		17.0 (18.0)	24.0 (25.4)	11.0 (11.6)	14.0 (14.8)	24.0 (25.4)
with 2 gas ballast valves ^{1), 2)}	kg x h ⁻¹ (qt/hr)		26.0 (27.5)	34.0 (35.9)	15.0 (15.9)	19.0 (20.1)	34.0 (35.9)
Controlled anti-suck back valve 24 V DC			–	–	yes	yes	–
Oil fillung min. / max.	l		20 / 23	20 / 23	20 / 23	20 / 23	20 / 23
Noise level (averaged) ³⁾	dB(A)		72	75	72	75	75
Admissible ambient temperature	°C (°F)		12 - 40 (54 -104)	12 - 40 (54 -104)	12 - 40 (54 -104)	12 - 40 (54 -104)	12 - 40 (54 -104)
Motor power	kW (hp)		15.0 (20.4)	18.5 (25.2)	15.0 (20.4)	18.5 (25.2)	18.5 (25.2)
Nominal speed pump	min ⁻¹ (rpm)		820 (820)	1000 (1000)	820 (820)	1000 (1000)	1000 (1000)
Type of protection / Isolation	IP / -		54 / F	54 / F	54 / F	54 / F	54 / F
Cooling			–	–	water	water	Oil
Thermostatic valve			–	–	yes	yes	–
Temperature protection Pump			yes	yes	yes	yes	yes
Motor			–	–	yes	yes	yes
Water quality	TH		–	–	4 to 8	4 to 8	–
Water pressure, min. / max.	bar		–	–	2/8	2/8	–
Weight (with oil fillung)	kg (lbs)		650 (1435)	650 (1435)	650 (1435)	650 (1435)	650 (1435)
Dimensions (W x H x D)	mm (in.)		1510 x 740 x 909 (59.45 x 29.13 x 35.79)	1510 x 740 x 909 (59.45 x 29.13 x 35.79)	1566 x 638 x 909 (61.65 x 25.12 x 35.79)	1566 x 638 x 909 (61.65 x 25.12 x 35.79)	1510 x 740 x 909 (59.45 x 29.13 x 35.79)
Connection Intake	EUROPA / USA	DN	DN 100 PN 10 / DN 100 ISO-K	DN 100 PN 10 / DN 100 ISO-K	DIN 160 Roots adapter 100 ISO-K	DIN 160 Roots adapter 100 ISO-K	DN 100 PN 10 / DN 100 ISO-K
Exhaust	EUROPA / USA	DN	Option	Option			Option

¹⁾ To DIN 28 400 and following numbers, with standard gas ballast

³⁾ Operated at the ultimate pressure without gas ballast, free-field measurement at a distance of 1 m

²⁾ Please ask Oerlikon Leybold Vacuum for more information

Ordering Information

SOGEVAC SV 630 B

SOGEVAC SV 630 BF

SOGEVAC SV 750 B

50/60 Hz

50/60 Hz

50 Hz

SOGEVAC SV 630 B			
with three-phase motor			
400 V, 50 Hz (NEMA) and			
230/460 V, 60 Hz	Part No. 960 865	-	-
380/400/415/690 V, 50 Hz and			
440/460 V, 60 Hz	Part No. 960 863	-	-
200 V, 50 Hz (JIS) and			
200 V, 60 Hz	Part No. 960 862	-	-
SOGEVAC SV 630 F			
with three-phase motor			
400 V, 50 Hz (NEMA) and			
230/460 V, 60 Hz	-	Part No. 960 869	-
380/400/415/690 V, 50 Hz and			
440/460 V, 60 Hz	-	Part No. 960 867	-
200 V, 50 Hz (JIS) and			
200 V, 60 Hz	-	Part No. 960 867	-
SOGEVAC SV 750 B			
with three-phase motor			
380/400/415/690 V, 50 Hz		-	Part No. 960 875
Other voltages/frequencies	upon request	upon request	upon request
Filling with special oil	upon request	upon request	upon request

Ordering Information**SOGEVAC SV 630 B****SOGEVAC SV 630 BF****SOGEVAC
SV 750 B
50 Hz****50/60 Hz****50/60 Hz**

Accessories			
Adapter for Roots pump Roots adapter 1000	Part No. 971 432 340	Part No. 971 432 340	Part No. 971 432 340
Roots adapter 2000	Part No. 971 432 350	standard	Part No. 971 432 350
Oil drain cock	Part No. 711 30 114	standard	Part No. 711 30 114
Gas ballast kit electromagnetic, 24 V DC	Part No. 971 438 170	standard	Part No. 971 438 170
Gas ballast, standard manual	standard	Part No. 971 446 490	Part No. 971 446 490
2nd gas ballast valve electromagnetic, 24 V DC	-	Part No. 971 438 160	-
manual	Part No. 971 438 340	-	Part No. 971 438 340
Exhaust filter monitoring gauge	Part No. 951 94	Part No. 951 94	Part No. 951 94
Oil level check	Part No. 971 425 760	Part No. 971 425 760	Part No. 971 425 760
Temperature switch	standard	standard	standard
Water cooling with thermostatic valve	upon request	standard	upon request
Intake kit DN 100 ISO-K	standard	Part No. 971 430 550	standard
Exhaust filter overpressure switch	Part No. 712 36 360	Part No. 712 36 360	Part No. 712 36 360
Oil filter bypass	Part No. 712 36 390	Part No. 712 36 390	Part No. 712 36 390
Spare Parts			
Oil filter, standard	Part No. 714 05 310	Part No. 714 05 310	Part No. 714 05 310
Exhaust filter (8 are required)	Part No. 971 431 120	Part No. 971 431 120	Part No. 971 431 120
Intake filter element			
Paper	Part No. 710 35 242	Part No. 710 35 242	Part No. 710 35 242
Metal	Part No. 710 37 734	Part No. 710 37 734	Part No. 710 37 734
Activated charcoal	Part No. 710 37 724	Part No. 710 37 724	Part No. 710 37 724
Polyester	Part No. 712 61 508	Part No. 712 61 508	Part No. 712 61 508
Seal kit FPM	Part No. 971 437 310	Part No. 971 437 310	Part No. 971 437 310
Repair kit, complete	Part No. 971 437 320	Part No. 971 437 320	upon request
Generator kit	Part No. 971 437 330	Part No. 971 437 330	upon request
Maintenance kit	Part No. 971 437 340	Part No. 971 437 340	Part No. 971 437 340